



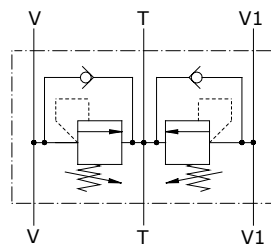
## Type VMDACSV pressure relief valves

- Double antishock differential relief valve with anticavitation

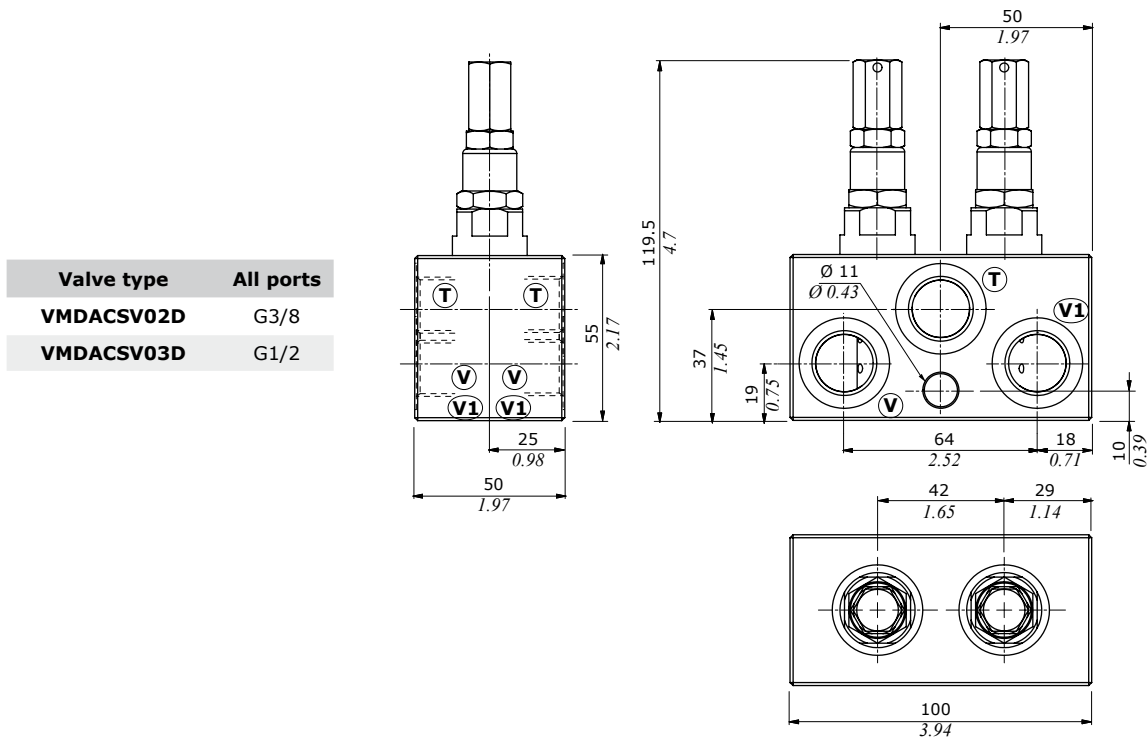
Technical specifications and diagrams are measured with mineral oil of 46 cSt viscosity at 40°C (104°F) temperature.

	VMDACSV 02	VMDACSV 03
Nominal flow	45 l/min (11.9 US gpm)	70 l/min (18.5 US gpm)
Max. pressure	Steel body = 350 bar (5100 psi)	
Fluid	mineral based oil	
Viscosity	from 10 to 200 cSt	
Max. level of contamination	18/16/13 ISO4406	
Fluid temperature	with NBR seals from -20°C (-4°F) to 80°C (176°F)	
Environmental temperature for working conditions	from -40°C (-40°F) to 100°C (212°F)	
Weight	steel 1.96 kg (4.31 lb)	1.85 kg (4.08 lb)

NOTE - For different conditions, please contact Walvoil Sales Dpt.

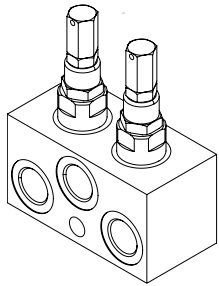


## Dimensions



## Ordering codes and description composition

Port size | Setting range  
**VMDACSV 03 D**



Spring type	Setting range bar (psi)	Std. setting bar (psi)
<b>D</b>	95-160 (1800-2300)	140 (2030)

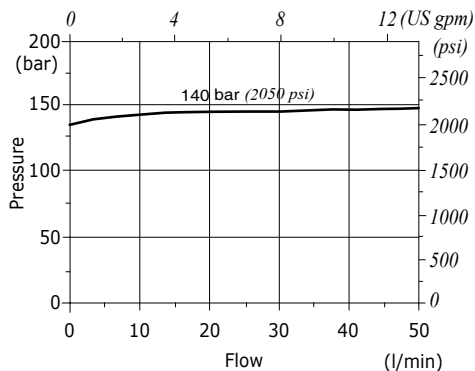
### VMDACSV complete valves

TYPE	CODE	DESCRIPTION
<b>Configuration with G3/8 standard thread</b>		
<b>VMDACSV02D</b>	1152521100	Steel body, setting range 95-160 bar (1380-2300 psi), std setting 140 bar @ 5 l/min (2030 psi @ 1.32 US gpm)
<b>Configuration with G1/2 standard thread</b>		
<b>VMDACSV03D</b>	1152531101	Steel body, setting range 95-160 bar (1380-2300 psi), std setting 140 bar @ 5 l/min (2030 psi @ 1.32 US gpm)

For different configurations and SAE thread please contact our Sales Dpt.

## Rating diagrams

**VMDACSV02D pressure vs. flow**  
Examples setting range @ 5 l/min (1.32 US gpm)



**VMDACSV03D pressure vs. flow**  
Examples setting range @ 5 l/min (1.32 US gpm)

