



Type VPR/3/EP+VMP+VE flow control pressure compensated valves

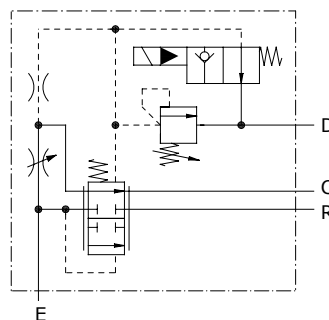
- 3 ways
- Exceeding flow to pressure
- Electric venting
- With pressure relief valve

Technical specifications and diagrams are measured with mineral oil of 46 cSt viscosity at 40°C (104°F) temperature.

		VPR/3/EP 38	VPR/3/EP 12	VPR/3/EP 34	VPR/3/EP 100	VPR/3/EP 114
Max. inlet flow	Line E	50 l/min (13.2 US gpm)	90 l/min (23.8 US gpm)	150 l/min (39.6 US gpm)	240 l/min (63.4 US gpm)	450 l/min (119 US gpm)
Max. regulated flow	Line C	30 l/min (7.9 US gpm)	50 l/min (13.2 US gpm)	90 l/min (23.8 US gpm)	150 l/min (39.6 US gpm)	250 l/min (66 US gpm)
Max. regulated flow	"SB"	15 l/min (4.0 US gpm)	25 l/min (6.6 US gpm)	45 l/min (11.9 US gpm)	75 l/min (18.1 US gpm)	125 l/min (33 US gpm)
Max. pressure		Aluminium body = 210 bar (3050 psi) Steel body = 350 bar (5100 psi)				
Fluid		mineral based oil				
Viscosity		from 10 to 200 cSt				
Max. level of contamination		18/16/13 ISO4406				
Fluid temperature		with NBR seals from -20°C (-4°F) to 80°C (176°F)				
Environmental temperature for working conditions		from -40°C (-40°F) to 100°C (212°F)				
Weight	aluminium	2.12 kg (4.67 lb)	2.10 kg (4.63 lb)	3.47 kg (7.65 lb)	5.49 kg (12.10 lb)	7.45 kg (16.42 lb)
	steel	4.19 kg (6.28 lb)	4.13 kg (6.17 lb)	7.03 kg (10.91 lb)	11.26 kg (24.83 lb)	18.20 kg (40.12 lb)

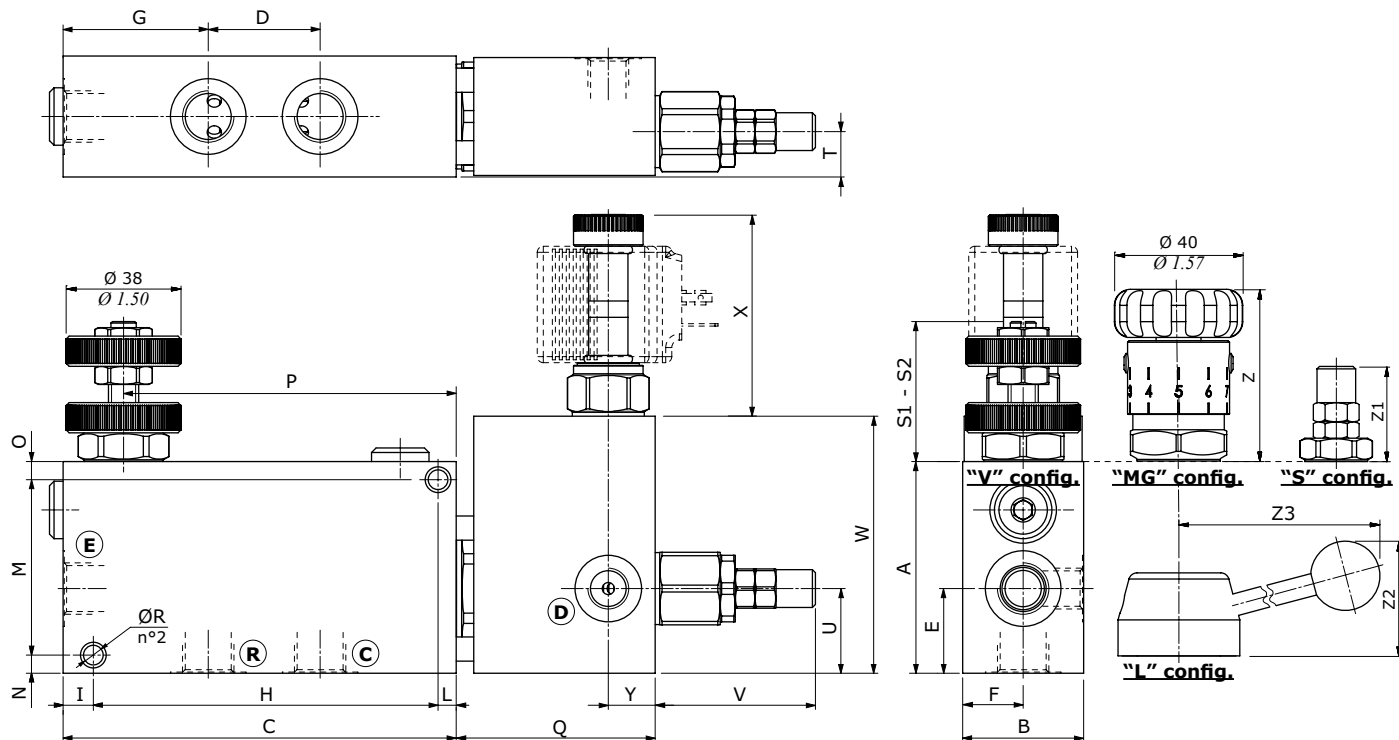
NOTE - For different conditions, please contact Walvoil Sales Dpt.

*"SB" execution (sensibilized adjustment)



Dimensions

VPR/3/EP 38+VMP+VE - VPR/3/EP 12+VMP+VE - VPR/3/EP 34+VMP+VE



Valve type	Ⓔ	Ⓓ	Ⓒ	Ⓓ
VPR/3/EP 38+VMP+VE	G3/8	G3/8	G3/8	G1/4
VPR/3/EP 12+VMP+VE	G1/2	G1/2	G1/2	G1/4
VPR/3/EP 34+VMP+VE	G3/4	G3/4	G3/4	G1/4
VPR/3/EP 100+VMP+VE	G1"	G1"	G1"	G1/4
VPR/3/EP 114+VMP+VE	G1"1/4	G1"1/4	G1"1/4	G1/4

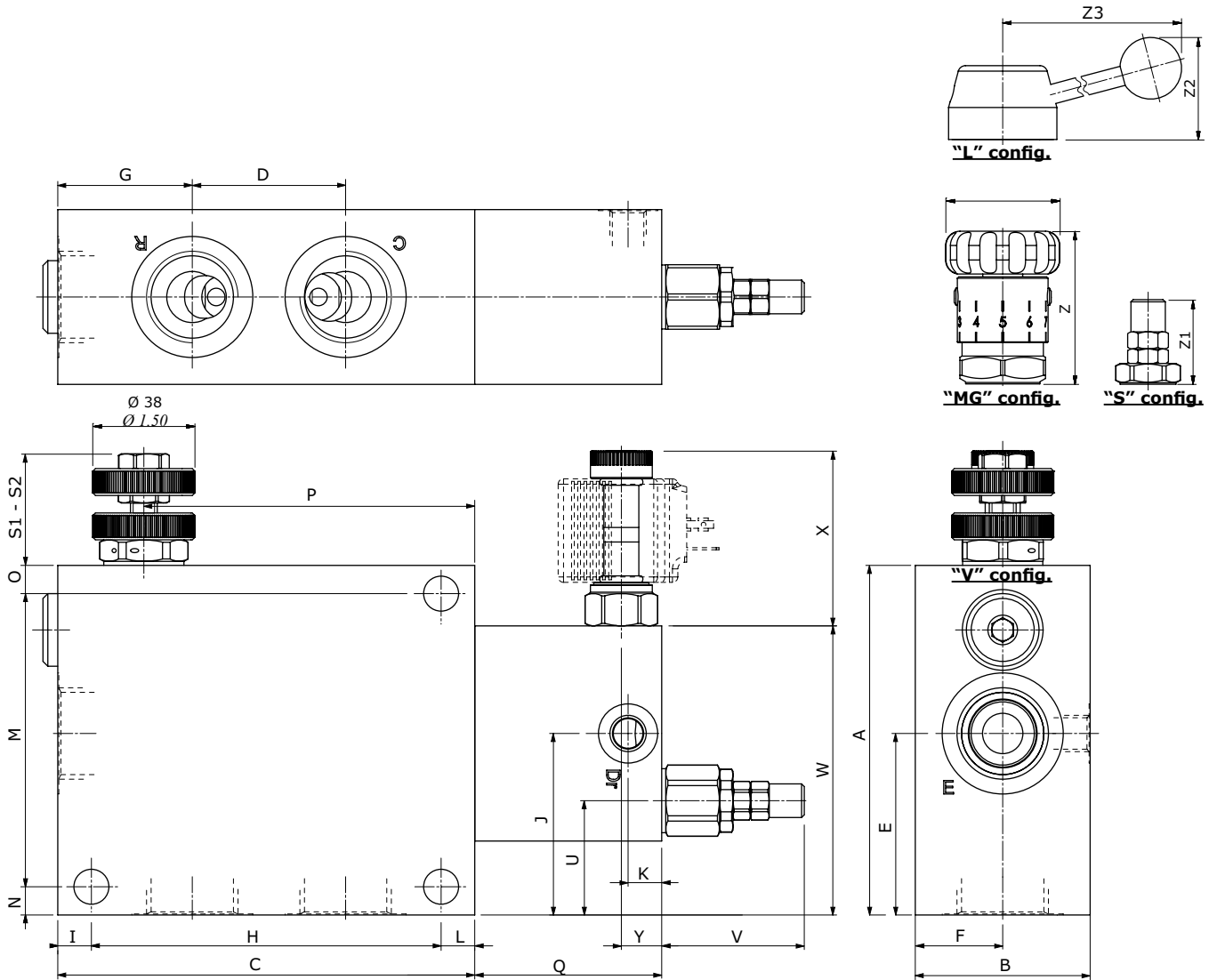
Dimensions are in mm-in

Valve type	A	B	C	D	E	F	G	H	I	L	K	J	M	N
VPR/3/EP 38+VMP+VE	70 2.76	40 1.57	130 5.12	37 1.46	28 1.10	20 0.79	48 1.89	114 4.49	10 0.394	6 0.236	-	-	58 2.28	6 0.236
VPR/3/EP 12+VMP+VE	70 2.76	40 1.57	130 5.12	37 1.46	28 1.10	20 0.79	48 1.89	114 4.49	10 0.394	6 0.236	-	-	58 2.28	6 0.236
VPR/3/EP 34+VMP+VE	90 3.54	50 1.97	155 6.10	44 1.73	35 1.38	25 0.98	57 2.24	135 5.31	10 0.394	10 0.394	15 0.59	35 1.38	74 2.91	8 0.315
VPR/3/EP 100+VMP+VE	130 5.12	Alum:70-2.76 Steel:65-2.56	155 6.10	57 2.24	67.5 2.66	Alum:35-1.38 Steel:32.5-1.28	50 1.97	130 5.12	12.5 0.49	12.5 0.49	12.5 0.49	67.5 2.66	109 4.29	10.5 0.413
VPR/3/EP 114+VMP+VE	160 6.30	75 2.95	184 7.24	70 2.76	83 3.27	37.5 1.48	60 2.36	159 6.26	12.5 0.49	12.5 0.49	15 0.59	83 3.27	135 5.31	12.5 0.49

Valve type	O	P	Q	ØR	S1	S2	T	U	V	W	X(NA)	Y	Z	Z1	Z2	Z3
VPR/3/EP 38+VMP+VE	6 0.236	110 4.33	65.8 2.59	6.5 0.256	46.3 1.82	52.6 2.07	15 0.59	28 1.10	53 2.09	85 3.35	66.7 2.63	15.5 0.61	53.3 2.10	38.5 1.52	47.5 1.87	101.3 3.99
VPR/3/EP 12+VMP+VE	6 0.236	110 4.33	65.8 2.59	6.5 0.256	46.3 1.82	53.1 2.09	14.5 0.59	28 1.10	53 2.09	85 3.35	66.7 2.63	15.5 0.61	53.3 2.10	38.5 1.52	47.5 1.87	101.3 3.99
VPR/3/EP 34+VMP+VE	8 0.315	130 5.12	76.8 3.02	8.5 0.335	41.5 1.63	50.5 1.99	-	35 1.38	53 2.09	90 3.54	66.7 2.63	16 0.63	49.5 1.95	38.5 1.52	50.1 1.97	103.6 4.08
VPR/3/EP 100+VMP+VE	10.5 0.413	123 4.84	69.5 2.74	13 0.51	41.5 1.63	50.5 1.99	-	42.5 1.67	53 2.09	107.5 4.23	62.5 2.46	15 0.59	49.5 1.95	38.5 1.52	50.1 1.97	103.6 4.08
VPR/3/EP 114+VMP+VE	12.5 0.49	151 5.94	80 3.15	12.5 0.49	52 2.05	xxx- xxx	-	58 2.28	53 2.09	123 4.84	66.7 2.63	15 0.59	52.5 2.06	41.5 1.63	50.5 1.99	107.3 4.22

Dimensions

VPR/3/EP 100+VMP+VE - VPR/3/EP 114+VMP+VE



Ordering codes and description composition

VPR/3/EP 38+VMP+VE complete valves

Pressure relief valve setting range is 50-200 bar (725-2900 psi)

Adjustment kit type "V" (handwheel)

Configuration with normally open (NA) solenoid valve

TYPE: **VPR/3/EP 38+VMP+VE(EC08M).NA/V/03.TS** CODE: 1634021100

DESCRIPTION: aluminium body, 3/8 ports

TYPE: **VPR/3/EP 12+VMP+VE(EC08M).NA/V/03.TS** CODE: 1634031100

DESCRIPTION: aluminium body, 1/2 ports

TYPE: **VPR/3/EP 34+VMP+VE(EC08M).NA/V/03.TS** CODE: 1634041100

DESCRIPTION: aluminium body, 3/4 ports

TYPE: **VPR/3/EP 100+VMP+VE(EC08M).NA/V/03.TS** CODE: 1634051100

DESCRIPTION: aluminium body, 1" ports

TYPE: **VPR/3/EP 38+VMP+VE(EC08M).NA/V/03.TS/ac** CODE: 1634022100

DESCRIPTION: steel body, 3/8 ports

TYPE: **VPR/3/EP 12+VMP+VE(EC08M).NA/V/03.TS/ac** CODE: 1634032100

DESCRIPTION: steel body, 1/2 ports

TYPE: **VPR/3/EP 34+VMP+VE(EC08M).NA/V/03.TS/ac** CODE: 1634042100

DESCRIPTION: steel body, 3/4 ports

TYPE: **VPR/3/EP 100+VMP+VE(EC08M).NA/V/03.TS/ac** CODE: 1634052100

DESCRIPTION: steel body, 1" ports

TYPE: **VPR/3/EP 114+VMP+VE(EC08M).NA/V/03.TS/ac** CODE: 1634062100

DESCRIPTION: steel body, 1"1/4 ports

DESCRIPTION: steel body, 1"1/4 ports

DESCRIPTION: steel body, 1"1/4 ports

DESCRIPTION: steel body, 1"1/4 ports

DESCRIPTION: steel body, 1"1/4 ports

DESCRIPTION: steel body, 1"1/4 ports

DESCRIPTION: steel body, 1"1/4 ports

DESCRIPTION: steel body, 1"1/4 ports

DESCRIPTION: steel body, 1"1/4 ports

DESCRIPTION: steel body, 1"1/4 ports

DESCRIPTION: steel body, 1"1/4 ports

DESCRIPTION: steel body, 1"1/4 ports

DESCRIPTION: steel body, 1"1/4 ports

DESCRIPTION: steel body, 1"1/4 ports

DESCRIPTION: steel body, 1"1/4 ports

DESCRIPTION: steel body, 1"1/4 ports

DESCRIPTION: steel body, 1"1/4 ports

DESCRIPTION: steel body, 1"1/4 ports

DESCRIPTION: steel body, 1"1/4 ports

DESCRIPTION: steel body, 1"1/4 ports

DESCRIPTION: steel body, 1"1/4 ports

DESCRIPTION: steel body, 1"1/4 ports

DESCRIPTION: steel body, 1"1/4 ports

DESCRIPTION: steel body, 1"1/4 ports

DESCRIPTION: steel body, 1"1/4 ports

DESCRIPTION: steel body, 1"1/4 ports

DESCRIPTION: steel body, 1"1/4 ports

DESCRIPTION: steel body, 1"1/4 ports

DESCRIPTION: steel body, 1"1/4 ports

DESCRIPTION: steel body, 1"1/4 ports

DESCRIPTION: steel body, 1"1/4 ports

DESCRIPTION: steel body, 1"1/4 ports

DESCRIPTION: steel body, 1"1/4 ports

DESCRIPTION: steel body, 1"1/4 ports

DESCRIPTION: steel body, 1"1/4 ports

DESCRIPTION: steel body, 1"1/4 ports

DESCRIPTION: steel body, 1"1/4 ports

DESCRIPTION: steel body, 1"1/4 ports

DESCRIPTION: steel body, 1"1/4 ports

DESCRIPTION: steel body, 1"1/4 ports

DESCRIPTION: steel body, 1"1/4 ports

DESCRIPTION: steel body, 1"1/4 ports

DESCRIPTION: steel body, 1"1/4 ports

DESCRIPTION: steel body, 1"1/4 ports

DESCRIPTION: steel body, 1"1/4 ports

DESCRIPTION: steel body, 1"1/4 ports

DESCRIPTION: steel body, 1"1/4 ports

DESCRIPTION: steel body, 1"1/4 ports

DESCRIPTION: steel body, 1"1/4 ports

DESCRIPTION: steel body, 1"1/4 ports

DESCRIPTION: steel body, 1"1/4 ports

DESCRIPTION: steel body, 1"1/4 ports

DESCRIPTION: steel body, 1"1/4 ports

DESCRIPTION: steel body, 1"1/4 ports

DESCRIPTION: steel body, 1"1/4 ports

DESCRIPTION: steel body, 1"1/4 ports

DESCRIPTION: steel body, 1"1/4 ports

DESCRIPTION: steel body, 1"1/4 ports

DESCRIPTION: steel body, 1"1/4 ports

DESCRIPTION: steel body, 1"1/4 ports

DESCRIPTION: steel body, 1"1/4 ports

DESCRIPTION: steel body, 1"1/4 ports

DESCRIPTION: steel body, 1"1/4 ports

DESCRIPTION: steel body, 1"1/4 ports

DESCRIPTION: steel body, 1"1/4 ports

DESCRIPTION: steel body, 1"1/4 ports

DESCRIPTION: steel body, 1"1/4 ports

DESCRIPTION: steel body, 1"1/4 ports

DESCRIPTION: steel body, 1"1/4 ports

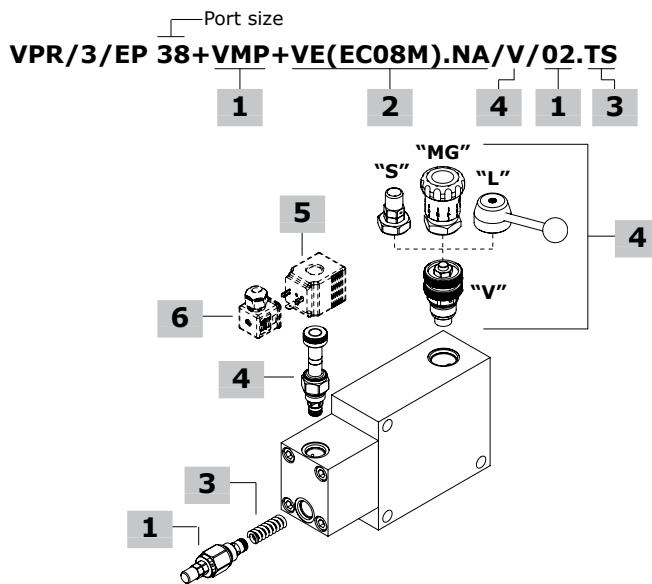
DESCRIPTION: steel body, 1"1/4 ports

DESCRIPTION: steel body, 1"1/4 ports

DESCRIPTION: steel body, 1"1/4 ports

DESCRIPTION: steel body, 1"1/4 ports

DESCRIPTION: steel body, 1"1/4 ports



1 Pressure relief valve

TYPE	CODE	DESCRIPTION
MC08A/0S2B	0MC08002000	Direct acting cartridge, setting range 50-200 bar (725-2900 psi)

2 Solenoid valve

TYPE	CODE	DESCRIPTION
EC08M/10NB	0EC08002031	Normally open (NA) configuration
EC08M/20NB	0EC08002032	Normally closed (NC) configuration

3 Pressure setting springs

TYPE	CODE	DESCRIPTION
TV	3ML1092500	Setting range 5-50 bar (72.5-725 psi)
TS	3ML1092501	Setting range 50-200 bar (725-2900 psi)
TR	3ML1092502	Setting range 150-350 bar (2200-5100 psi)

4 Adjustment kit

TYPE	CODE	DESCRIPTION
For VPR/3/EP 38+VMP+VE valve		
V.SB	5KT6200200	"V" handwheel type in "SB" configuration (sensibilized adjustment)
V	5KT6130200	"V" handwheel type
MG	5KT6200202	"MG" handknob type
S	5KT6200211	"S" screw type
For VPR/3/EP 12+VMP+VE valve		
V.SB	5KT6130301	"V" handwheel type in "SB" configuration (sensibilized adjustment)
V	5KT6130200	"V" handwheel type
MG	5KT6200202	"MG" handknob type
S	5KT6200211	"S" screw type
For VPR/3/EP 34-100+VMP+VE valves		
V	5KT6130401	"V" handwheel type
MG	5KT6200400	"MG" handknob type
S	5KT6130404	"S" screw type
V.SB	5KT6130402	"V" handwheel type in "SB" configuration (sensibilized adjustment)
For VPR/3/EP 114+VMP+VE valve		
V	5KT6340603	"V" handwheel type
MG	5KT6200605	"MG" handknob type
S	5KT6200604	"S" screw type

5 Coils

TYPE	CODE	DESCRIPTION
BER 12VDC	4SLE001200A	12VDC-ISO4400 coil for EC08M

For complete coils list see from page 433

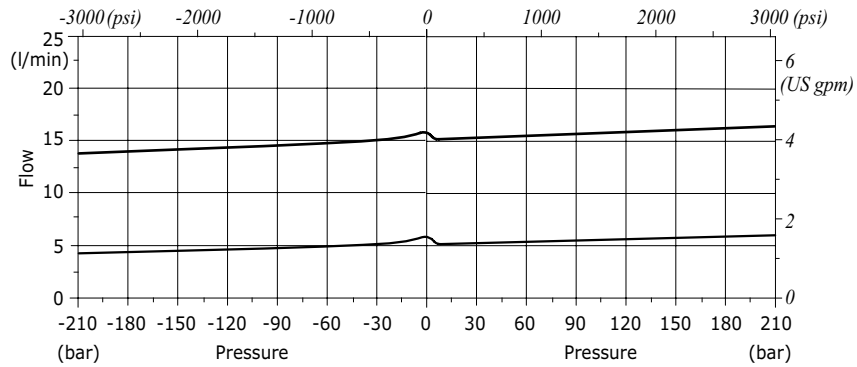
6 Connector

TYPE	CODE	DESCRIPTION
ISO4400	4CN1009995	Connector

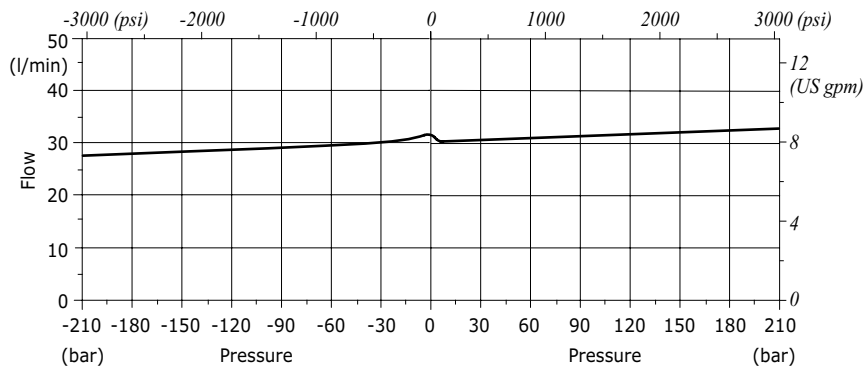
For complete connectors list see from page 433

For other steel body configurations, SAE thread and configurations with FPM (Viton) seals, please contact our Sales Dpt.

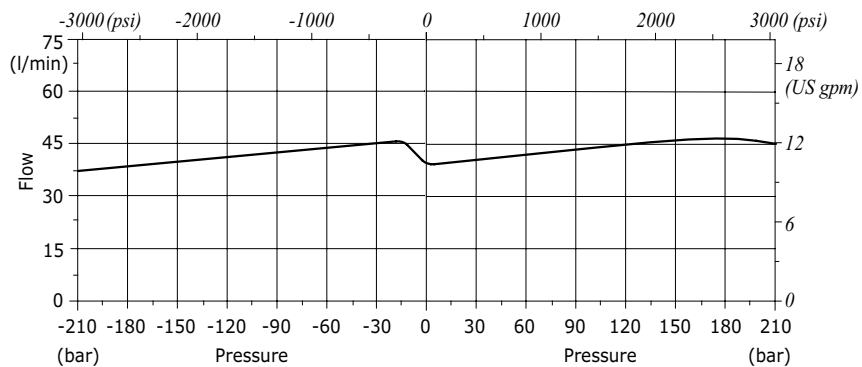
**VPR/3/EP 38+VMP+VE compensation diagram in C
changing the Δp between E and R**



**VPR/3/EP 12+VMP+VE compensation diagram in C
changing the Δp between E and R**

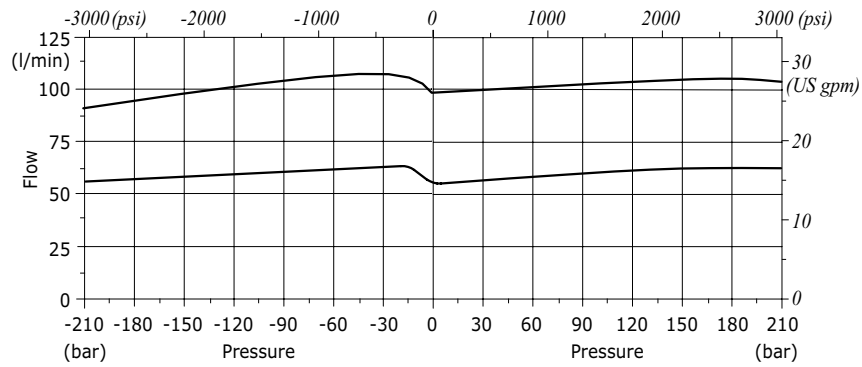


**VPR/3/EP 34+VMP+VE compensation diagram in C
changing the Δp between E and R**



Rating diagrams

**VPR/3/EP 100/VMP+VE compensation diagram in C
changing the Δp between E and R**



**VPR/3/EP 114/VMP+VE compensation diagram in C
changing the Δp between E and R**

