



V series handle

- Ergonomic design with elastomericated rubber
- Available with ON/OFF push-button

General features

Covering material	elastomericated rubber
Core material	Nylon®
IP weather protection (assembled)	IP44
Ambient temperature	from -20°C to 60°C / from -4°F to 140°F

Electric devices features

ON/OFF push-button

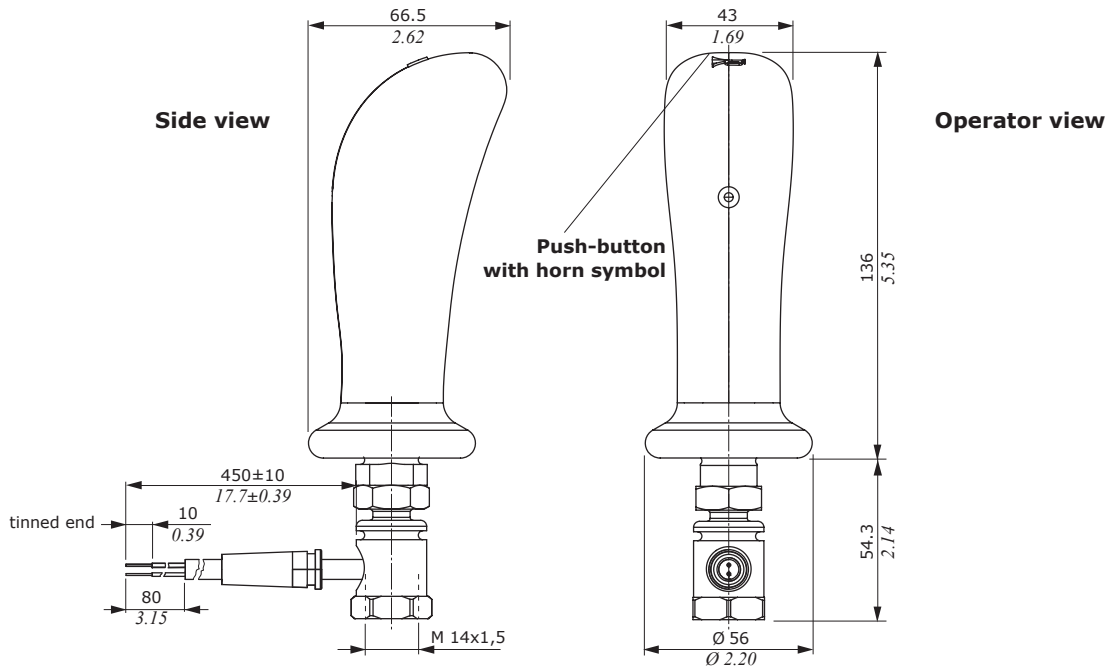
Version	spring return
Contact type	NO
Current rating	4 A resistive load @ 24 VDC
Electric life (nr. of operations)	10 ⁴
Weather protection	IP44



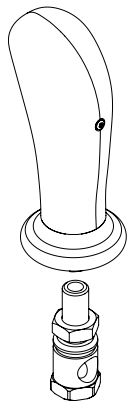
Cables

Conductor material	Copper with tinned ends
Nr. of conductors	from 2 to 3
Conductor section	AWG20
Insulating material	PVC
Protective covering material	polyolefin

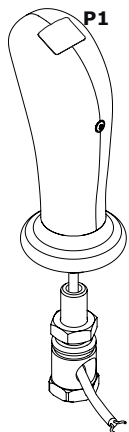
Dimensions



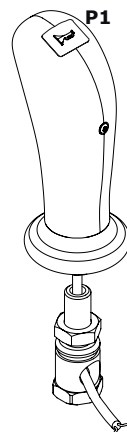
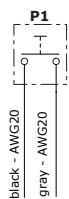
Configurations



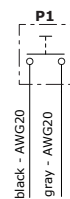
Code	5IMP030011
Description	V009
Configuration	Without push-button
Joint	Standard for SVM400-430 joystick



Code	5IMP032012
Description	V209-045
Configuration	Push-button with spring return without horn symbol (P1)
Joint	Standard for SVM400-430 joystick



Code	5IMP031160
Description	V109-045
Configuration	Push button with spring return with horn symbol (P1)
Joint	Standard for SVM400-430 joystick



NOTE - For different joint see page 4.

For different handle configurations, contact our Sales Dept.