

# CPW-APW

Electronic pedal



# CPW-APW

Electronic pedal



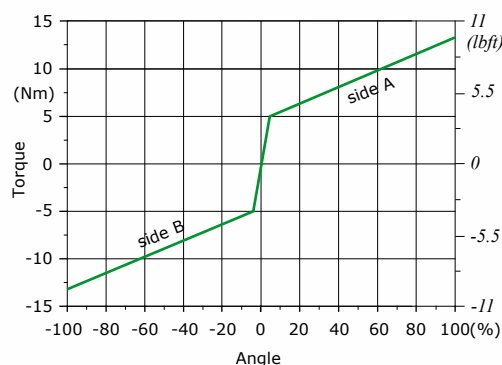
Thanks to its strong mechanical structure and advanced electronic design, this new Hall Effect pedal is suitable for harsh environments and safety applications. The pedal mechanical and electrical life reaches 5 million cycles on each axis. If the pedal is equipped with lever, the integrated damping system minimizes its oscillation during return in neutral position. With the Deutsch connectors and the electronic board potted with resin, the joystick base is completely sealed (IP67/IPx9K). The output signal is Analog or CANbus, the protocol can be SAE J1939 and CanOpen. The electronic board of the pedal is designed with Hardware Category 2 and is capable of reach Performance Level D / SIL 2. The electronic pedal has been qualified according to the most rigorous international and customers' standards.

- Hall effect contactless sensor
- Suitable for Safety applications
- Rugged construction
- Customizable actuating force
- Customizable mounting flange

Working conditions	
<b>Electrical specifications</b>	
Supply voltage (VBB)	From 8 to 32 V
Max. supply current	200 mA (no load)
CAN bus Output (CPW)	SAEJ1939, CanOpen
Analog output (APW)	0.5 V - 4.5 V
<b>Mechanical specifications</b>	
Mechanical and Electrical life	5.000.000 cycles
Lever angle	operation $\pm 11^\circ$ for axis
<b>Environmental specifications</b>	
Temperature operating	from $-40^\circ\text{C}$ to $85^\circ\text{C}$ - from $-40^\circ\text{F}$ to $185^\circ\text{F}$
Storage temperature	from $-40^\circ\text{C}$ to $100^\circ\text{C}$ - from $-40^\circ\text{F}$ to $212^\circ\text{F}$
Weather protection	IP 67/IPx9K
EMC	according to ISO 14982 /13766

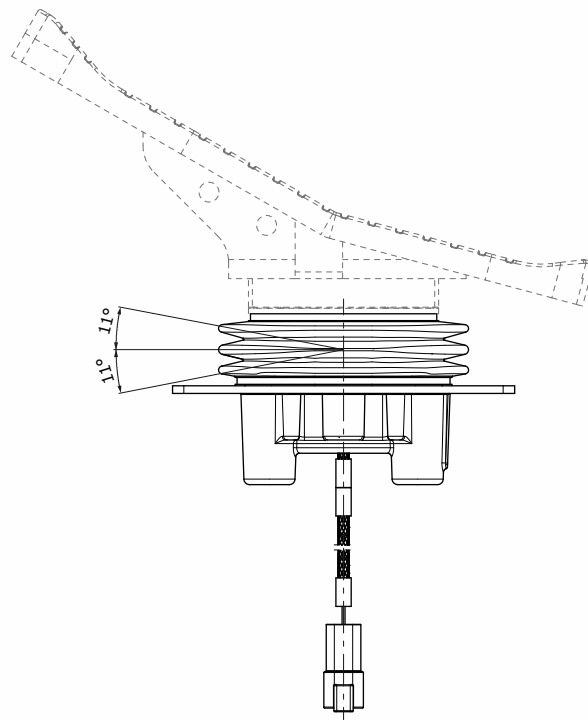
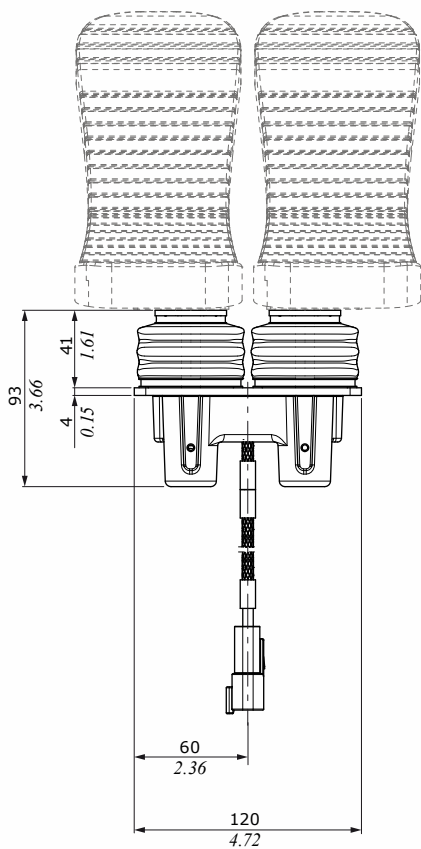
## Performance data

**Joystick axes actuation forces  
(typical example)**



# NEW

## Dimensions and pin-out connector

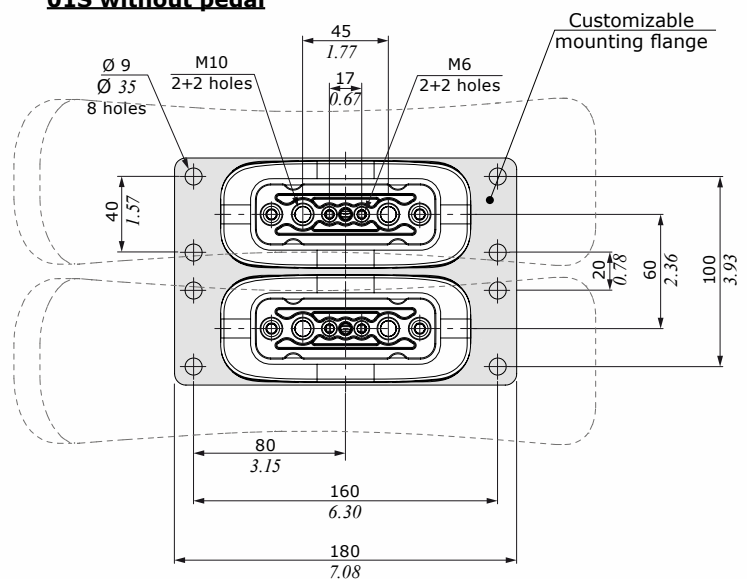


PINOUT C1 CONNECTOR  
DEUTSCH DT04-4P



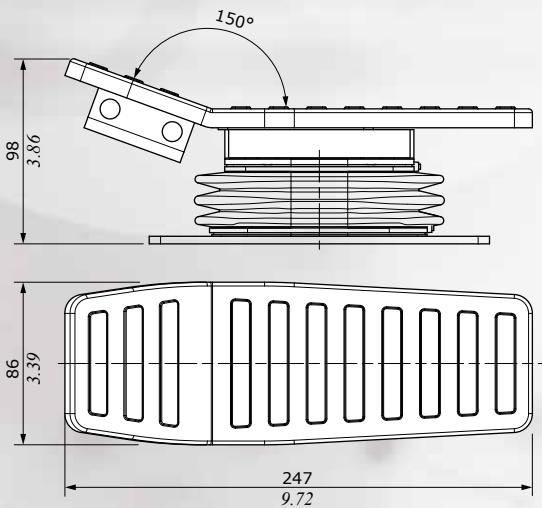
PIN	COLOR	FUNCTION	
		CPW	APW
1	Red	VBB	VBB
2	Yellow	CAN_H	pedal 1
3	Grey	CAN_L	pedal 2
4	Black	GND	GND

**01S without pedal**

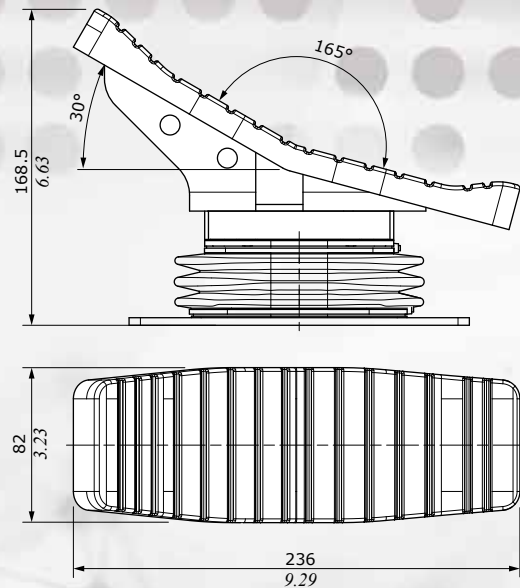


## Control options

### 0101P pedal



### 0102P pedal



### 01S type

With spring return in neutral position.  
Without pedal.

### 0101P type

With spring return in neutral position.  
Bent pedal with anti-slip rubber coating.

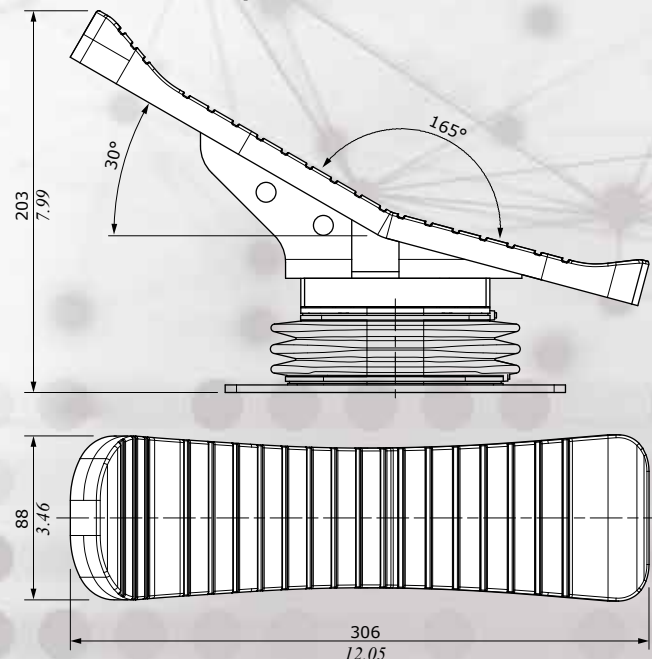
### 0102P type

With spring return in neutral position.  
Bent and tilted pedal with anti-slip rubber coating, short model.

### 0103P type

With spring return in neutral position.  
Bent and tilted pedal with anti-slip rubber coating, long model.

### 0103P pedal



D1WVCE16E - 1<sup>st</sup> edition September 2021

