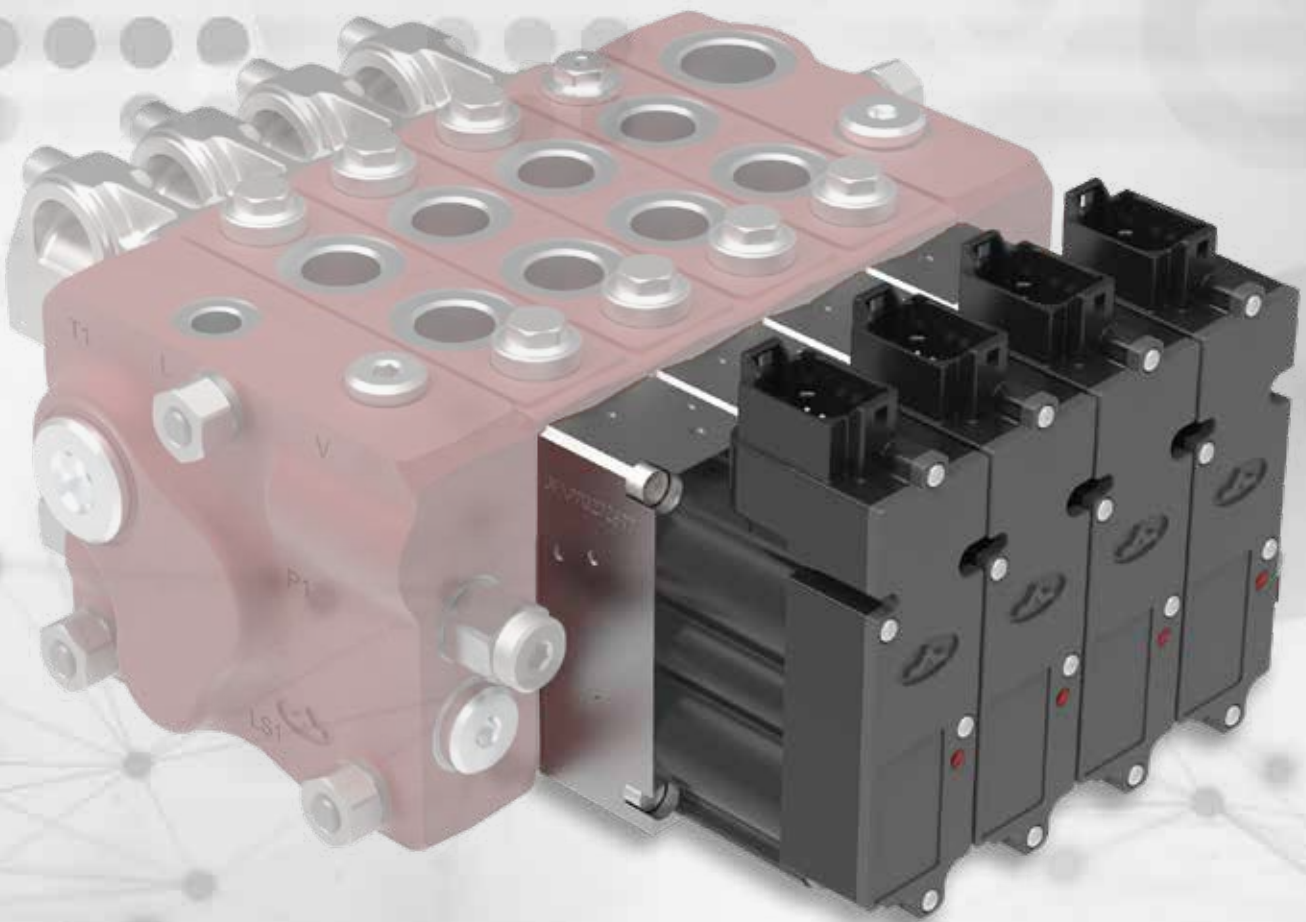


NEW

NG5

Electro-hydraulic CAN bus
Control Module

 **walvoil**
FLUID POWER EMOTION



 **walvoil**
FLUID POWER EMOTION

A member of



NG5

Electro-hydraulic CAN bus Control Module



- Accurate spool motion
- Analog or CAN bus signal
- IP67/IPx9K protection grade

Low Hysteresis

Thanks to integrated electronics and contactless position sensor the NG5 module can guarantee the accurate motion of the valve spool, with low hysteresis and fast response.

Functional Safety

Functional Safety has been integrated since the beginning in the design and validation process. The electronic board is designed with Hardware Category 2 and is capable to reach of PLD / SIL 2.

CAN bus or Analog

Supported CAN bus protocols are SAE J1939 and CANopen. An analog input command option is available.

Reliability

The electrohydraulic module has been qualified according to OEMs' most rigorous reliability standards. The Deutsch connector allows the IP67/IPx9K protection grade and a strong resistance to all adverse conditions (vibrations, shocks, EMC).

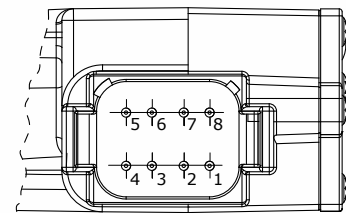
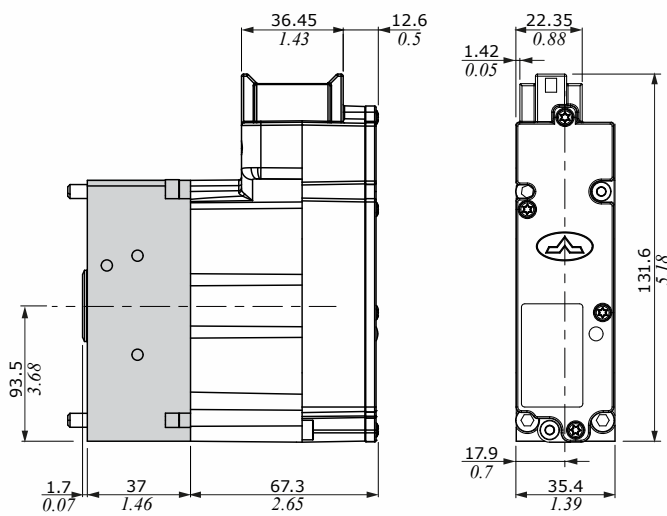
WORKING CONDITIONS

Electrical data		Hydraulic data	
Voltage supply	From 8 to 32 V	Max inlet pressure	50 bar 725 psi
Max. current absorption (logic)	1500 mA	Max back pressure	5 bar 72.5 psi
no load current absorption	200 mA	Contamination level	-/18/15-ISO 4406
CAN bus Output	SAE J1939, CANopen	Fluid	Mineral oil based
CAN bus Input	SAE J1939, CANopen	Max mechanical stroke	+/- 10 mm +/- 0.39 in
Analog Input	0.5 V - 4.5 V	Sensor type	Hall effect
Working temperature	from -40°C to 85°C from -40°F to 185°F	Redundant	•
Storage temperature	from -40°C to 105°C from -40°F to 221°F	Absolut accuracy	< 3.5% (+/- 10 mm) < 3.5% (+/- 0.39 in)
Weather protection	IP 67/IPx9K		
EMC compatibility	according to ISO 14982 / 13766		
Connector	DT04-08P A		
Optional power Output	6A max		

Note: technical specifications measured with mineral oil of 46 mm²/s (46 cSt) viscosity at 40°C - (104°F) temperature.

NEW

Dimensions



Pinout function

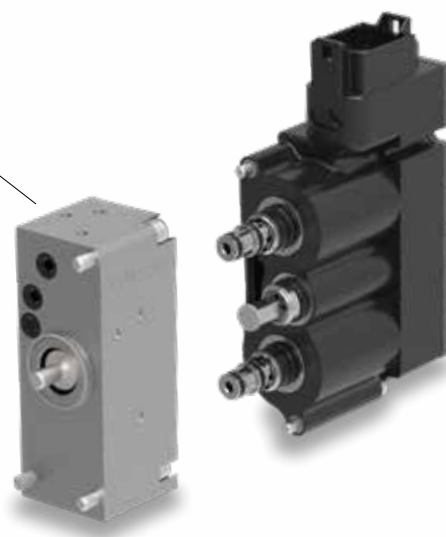
1	Vbb
2	GND
3	CAN_L
4	CAN_H
5	Auxiliary Output
6	Input Control 2
7	Input Control 1
8	External Enable

Valve Interface Block

The dimensions of the part are referred only to DPX100. For other sectional directional control valves dimensions are different. Please, contact our Sales Dpt.

Directional valves compatibility

DPK	DPK120
DPX series	DPX100
	DPX100HF
	DPX160
EX series	EX38
	EX54
	EX72
DPC series	DPC130
	DPC200

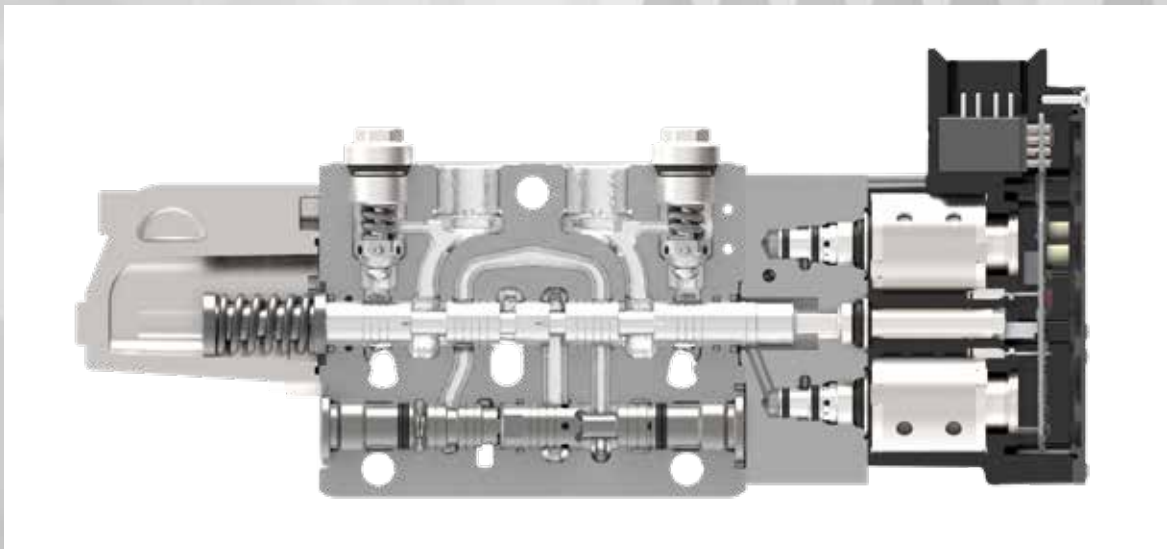


NG5

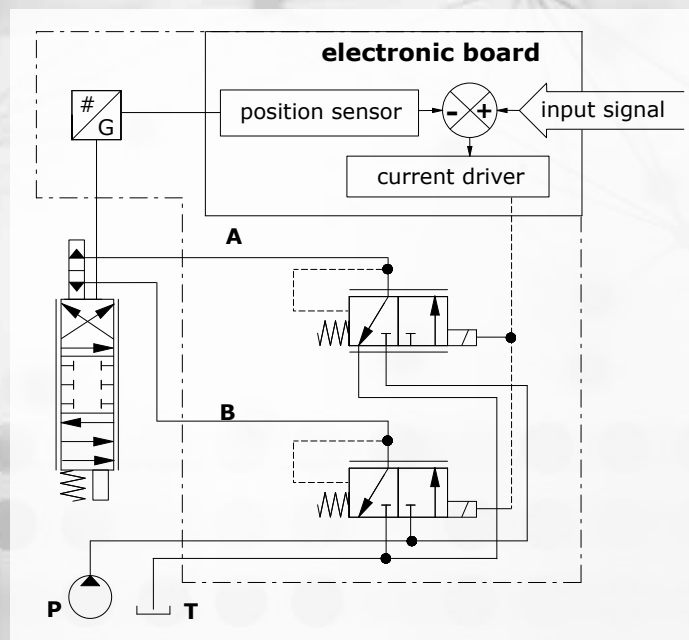
Electro-hydraulic CAN bus
Control Module

Section

DPX100 with NG5 module



Functionality principle



walvoil
FLUID POWER EMOTION



D1WWCE17E
1st edition October 2022

